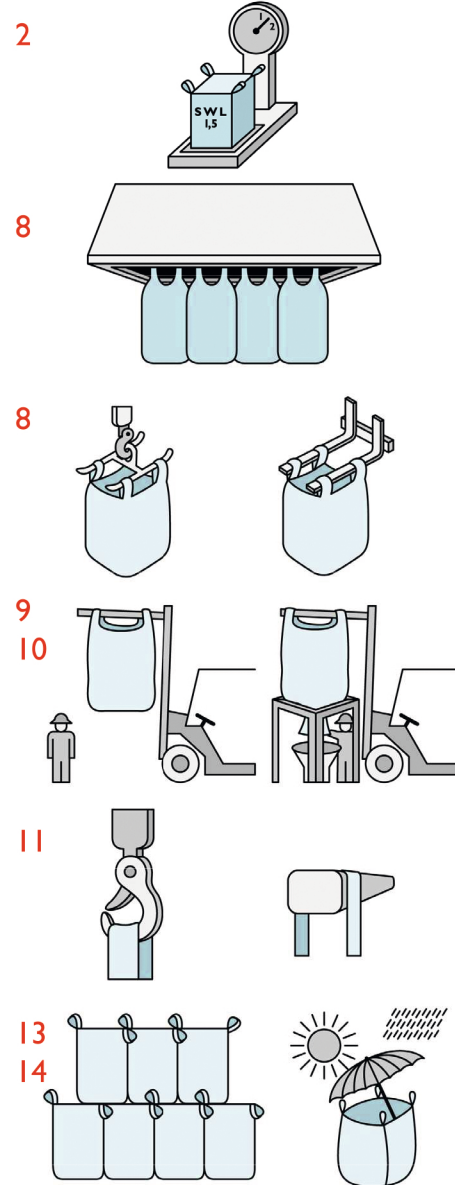


How to use FIBCs

The following handling instructions must be observed when operating with flexible intermediate bulk containers (FIBC's):

1. Do read the instruction label on the FIBC.
2. Do keep within the safe working load (SWL).
3. Do inspect reusable FIBCs for damage before refilling.
4. Do check that the discharge spout is closed off before filling.
5. Do ensure that the filled FIBC is stable.
6. Do close the top inlet correctly.
7. Do use lifting gear of sufficient capacity for the load.
8. Do adjust the distance between fork lift arms to the correct width for the FIBC being handled.
9. Do tilt the mast of the fork lift truck rearwards to an appropriate angle.
10. Do ensure that the area beneath the FIBC is clear of personnel.
11. Do ensure that crane hooks, bars of forklift arms used for lifting are of adequate size and are rounded off.
12. Do consider the possibility of static electricity hazards.
13. Do ensure stability when stacking FIBCs.
14. Do protect the FIBCs from rain and / or prolonged sunlight.
15. Do ensure that the FIBCs are adequately secured during transport.



16. Do not exceed the safe working load (SWL) under any circumstances.
17. Do not fill the FIBCs unevenly.
18. Do not accelerate or brake sharply during transport.
19. Do not subject FIBCs to snatchlift and / or jerk stops.
20. Do not drag FIBCs over the floor.
21. Do not use lifting equipment which has not been adjusted correctly for the FIBC.
22. Do not allow personnel under suspended FIBCs.
23. Do not tilt the mast of the forklift forward.
24. Do not withdraw the fork of the forklift until all the load is relieved.
25. Do not allow the use of unsuitable lifting devices.
26. Do not stack FIBCs unless sure of stability.
27. Do not use FIBCs in new conditions without consulting the manufacturer or supplier.
28. Do not reuse single-trip FIBCs.
29. Do not allow the repair and reuse of damaged reusable FIBCs without consulting the manufacturer or supplier.

